

Zehnder Alura Tech

Product data sheet

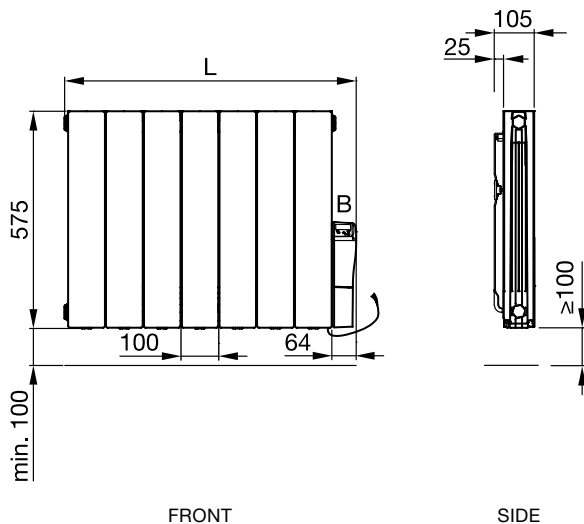


The Zehnder Alura Tech electric radiator is highly responsive and is an impressive choice due to its high thermal output, despite its small dimensions. The control panel is elegantly integrated into the radiator design and is intuitive to use. Available in white.

Advantages

- User-friendly control panel allows simple operation
- Simple operation due to three pre-defined heating programmes
- Energy-efficient and comfortable heating with innovative “open window detection”
- Operation on demand with energy consumption indicator
- H bracket with integral spirit level for easy installation
- High energy efficiency due to compliance with the European Ecodesign Directive reduces energy costs
- Low energy consumption of only 0.5 W or less in stand-by mode for increased energy efficiency
- Aesthetically pleasing design with perfectly integrated control device including backlit display
- Customisable daily and weekly programmes for convenient, on-demand operation
- Increased safety with keylock

Model overview



L = length

Dimensions in mm

Electric-only operation

Painted version

Model	H	L ¹⁾	T	Output electric
	mm	mm	mm	Watt
ALE-050-036/F	575	300	80	500
ALE-075-046/F	575	400	80	750
ALE-100-056/F	575	500	80	1000
ALE-125-076/F	575	700	80	1250
ALE-150-086/F	575	800	80	1500
ALE-200-116/F	575	1100	80	2000

H = height, L = length, T = depth
 1) Total length (incl. control panel)

