

ComfoSpot 50

Installation instructions for extension set

Intended purpose

The extension set consists of the EPP housing extension and the installation accessories. It is used for installing the ComfoSpot 50 ventilation unit in external walls with a final wall thickness of 600 mm to 885 mm.

Scope of delivery



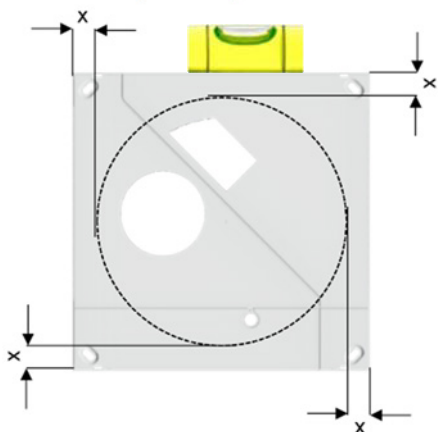
Item	Description
1	EPP housing extension; L = 285 mm
2	Self-adhesive swelling sealing tape; for sealing the cross-sectional contours of air-conveying sections in the moulded EPP parts; pre-cut length 1 m
3	Anti-rotation mechanism; for connection to the ComfoSpot 50 EPP housing in the correct position

Preparing for installation

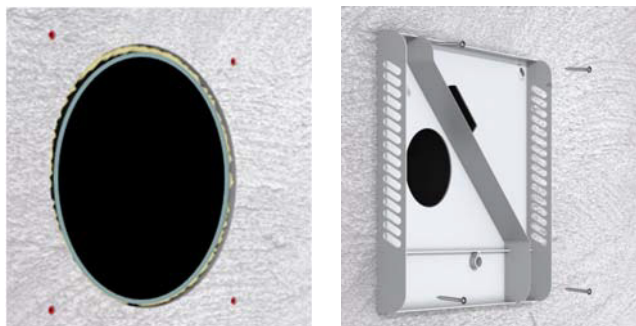
Check that the working area is flat and that the wall mounting pipe can be sealed correctly on the façade surface. If any of the PVC wall mounting pipe is protruding, trim it so that it is flush with the façade and use suitable sealant to seal the façade connection around the PVC wall mounting pipe.



Position the bottom cover of the exterior wall panel centrally on the PVC wall mounting pipe, maintaining a distance of $x = 33 \text{ mm}$, and align it horizontally with the façade. Transfer the drill holes and prepare a suitable fastening technique for the four fixing points (shown as long holes) as set out in the façade design.



Fix the bottom cover in place in the four fixing points on the façade.

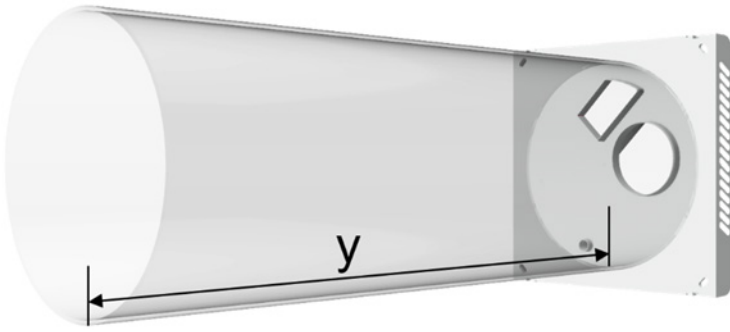


Do not bend the bottom cover of the exterior wall panel when screwing it on! If necessary, undo the screws again so that the bottom cover is still applied tightly to the façade, but this does not cause any deformation.

To protect against penetrating water, the gap between the bottom cover and the façade must be sealed using a suitable sealant.

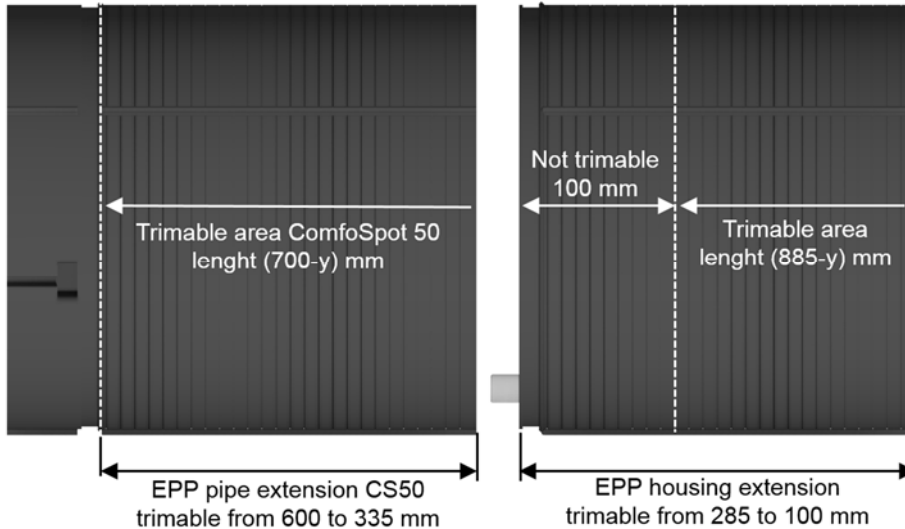
Installation

Measure the length y of the PVC wall mounting pipe up to the back of the exterior wall panel bottom cover.



If the dimension y is > 700 to 885 mm, then **only** the **EPP housing extension (1)** needs to be **trimmed** by $(885-y)$ mm.

If the dimension y is 600 to ≤ 700 mm, both the **EPP housing extension (1)** and the **EPP pipe extension for the ComfoSpot 50** need to be **trimmed** by 185 mm and $(700-y)$ mm respectively.

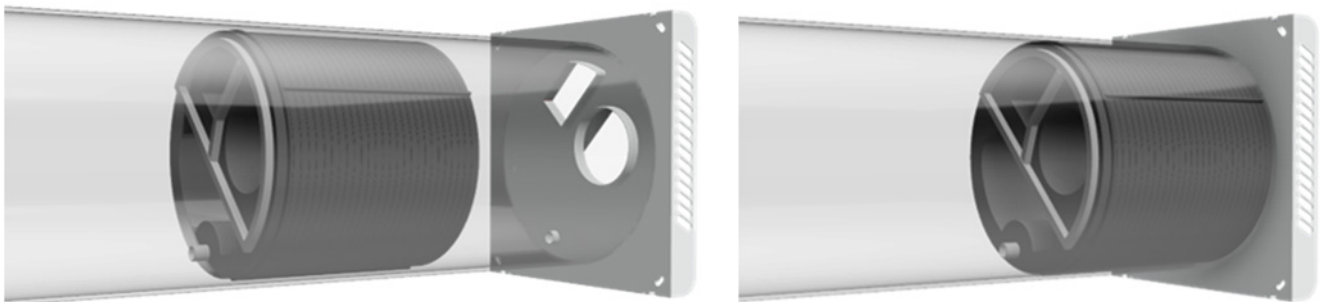


Trim using a suitable tool (utility knife) around the circumference and at a right angle to the axis of symmetry of the molded EPP parts.

Glue the swelling sealing tape (2) to the contours that surround the ventilation sections and are located on the face side of the EPP housing extension (1) with the anti-rotation mechanism (3).



Push the trimmed face side of the EPP housing extension (1) until it reaches the back of the exterior wall panel bottom cover.



Make sure that the raised contours on the back of the bottom cover engage in the face side of the EPP housing extension (1)!

Then perform the installation steps as outlined in the ComfoSpot 50 operating and installation instructions.